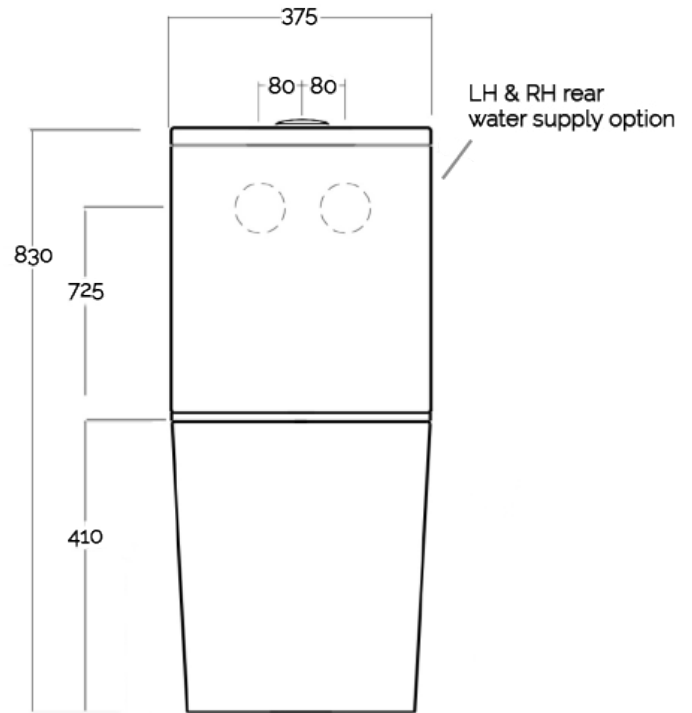


# DANZA

DZ1001  
wall-face WC suite

rear water entry: LH & RH



The DANZA suite is all vitreous china, providing an easy to clean, durable sparkling finish.

WER: 4 Star

Size: Projection 610 H 830 W 375

Water inlet: rear water inlet only

Waste: See separate sheet for the range of outlet options.

Flush: WMK 4.5/3 litres per flush nominal

Seat: Thin seat cover

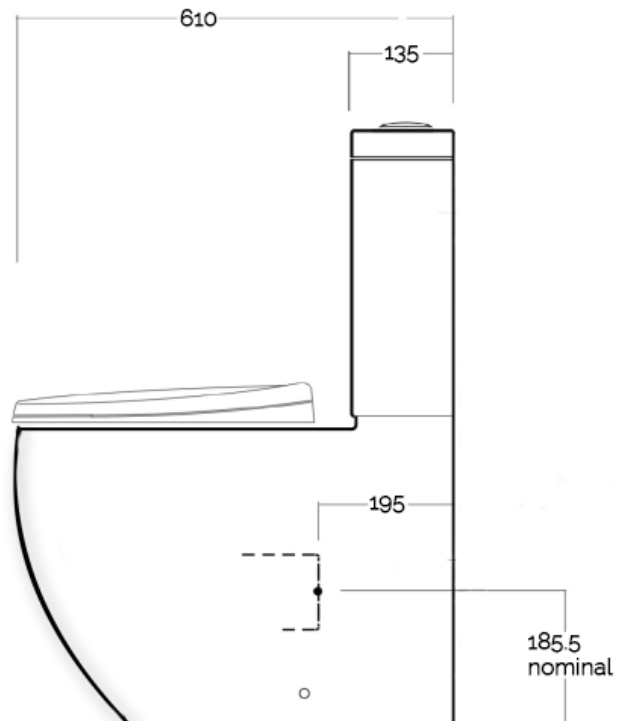
Colour: White

Pan fixing: Floor fixing kit included

Compliance: AS11712.1 AS1172.2

WELS license 0016

WMKA30025 watermark



See installation recommendations on separate sheet for more information and trap connection options.

Notes: Scale 1:10  
All dimensions in millimetres.  
All sizes and dimensions are nominal.

Gallaria Bathware



**IMPORTANT:** All dimensions shown refer to FINISHED FLOOR and FINISHED WALL surfaces. Be aware of this when at the lay-out

## Installation & trap connection options

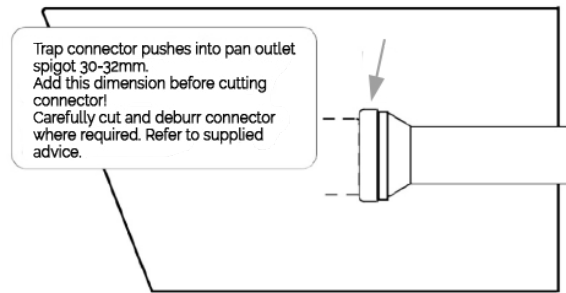
All installation and rectifications should be carried out by a license plumber

- Unpack the pan from the inner pack.
- Turn the pan upside down on poly foam packing. This will allow you to "dry-run" the set out and see where to cut the connector if required.
- Most important - the plastic connector must have 30-22mm penetration into the vitreous china pan trap outlet. Add this dimension before cutting the plastic connector.
- Next the wall brace screw thread (where used) may have to be cut to length so that the flange can be screwed to the wall. This flange must be attached to the wall to provide a firm fixing of the plastic trap when the pan is pushed into final position. Failure to have a firm mounting for the plastic trap on assembly may result in a leaking connection.
- Use Hydroseal grease or detergent on the connector seal for assembly.
- The pan needs to be levelled and fixed securely.
- The top limit of water supply pressure is 600kPa (AS3500) for increased life cycle and less water hammer. Check supply pressure as it may need reducing.
- Dimensions may vary for individual product and drainage layout. Variation may apply specifically to pan spigot outlet.

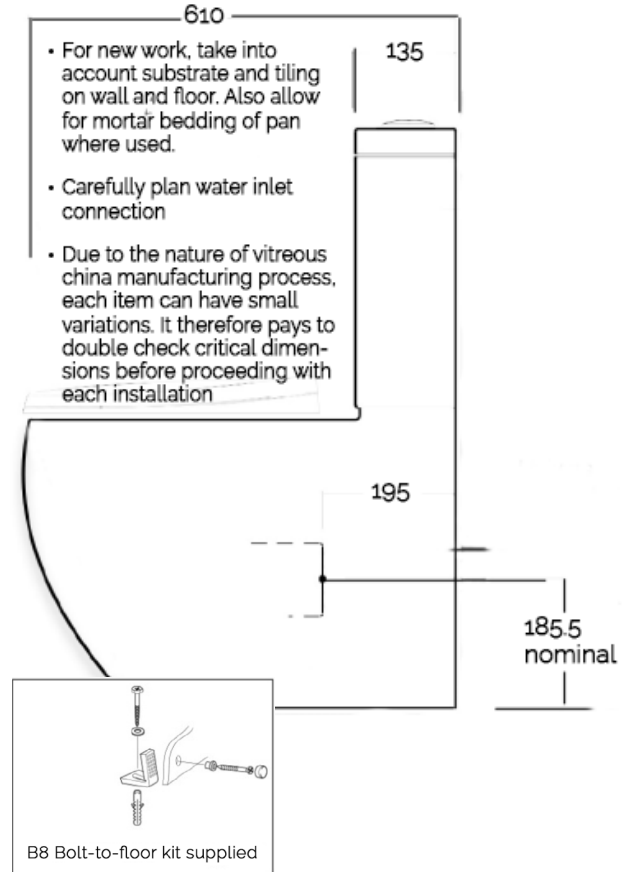
See below for a range of trap options.

### Wall outlet

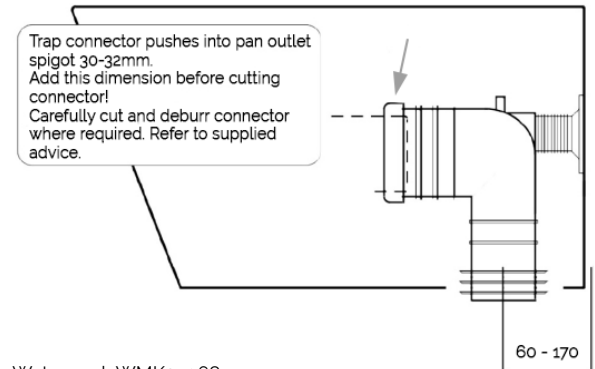
Using standard 20mm offset pan collar for 100mm pipe



## DANZA DZ1001 Series



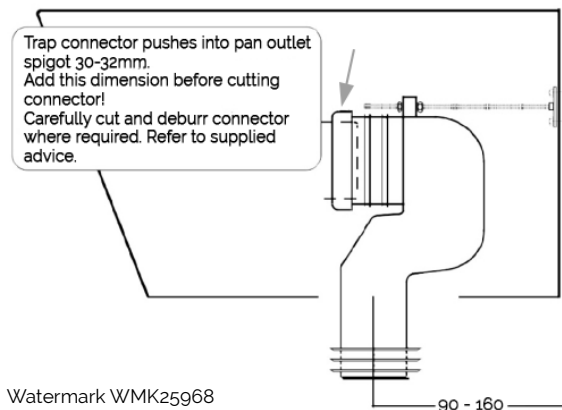
### Recommended standard floor outlet set-out 60-170MM



Watermark WMK25968

Connector kit **XLDFB02** Supplied as standard

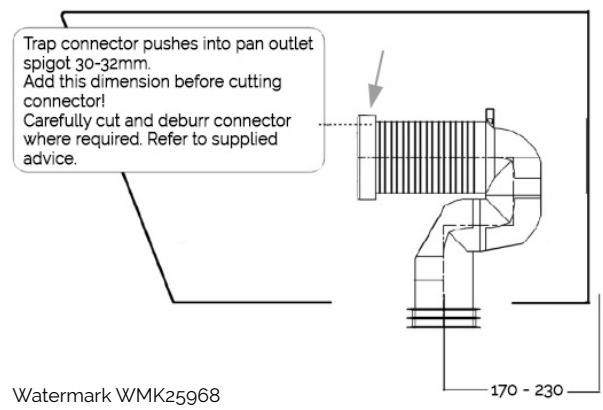
### 90-160MM floor outlet set-out



Watermark WMK25968

Connector kit **XLDFB09**

### XLDFB QP floor outlet 170-230MM



Watermark WMK25968

Connector kit **XLDFB QP**